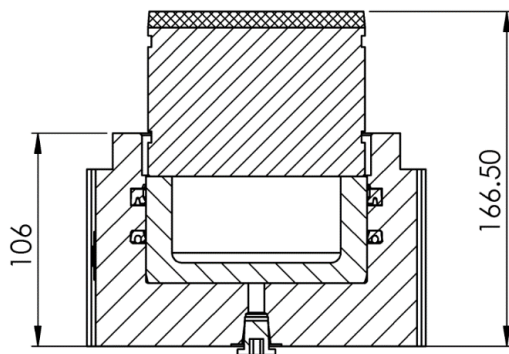
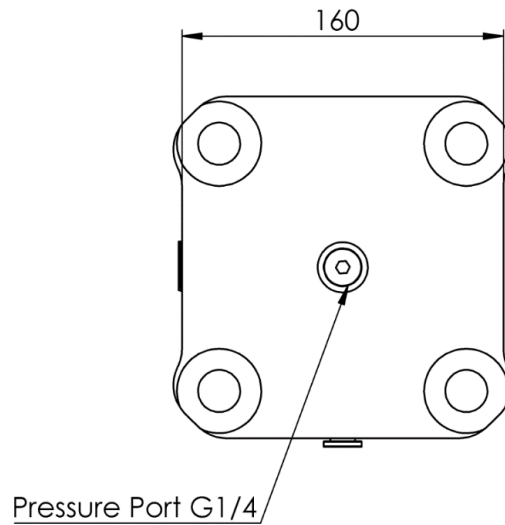
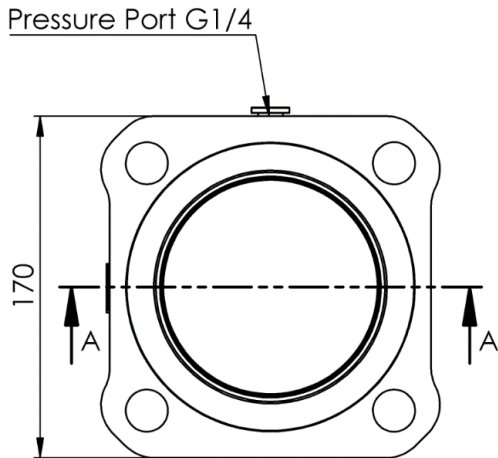


YAW BRAKE TYPE HAB-1-110

SUITABLE FOR ACCIONA 1.5 MW WIND TURBINE YAW (INTERCHANGEABLE WITH ANTEC BRAKES)



SECTION A-A



Description

HAB-1-110 is an independent hydraulic applied brake suitable for dynamic or static applications.

Main features

- Hydraulic applied Brake.
- Compact and robust design.
- Easy maintenance.
- Organic, asbestos free lining.
- Independent piston.
- Long service life.
- Protection C4-H, according ISO 12944-2
- Reactive humidity $\leq 70\%$

YAW BRAKE TYPE HAB-1-110

SUITABLE FOR ACCIONA 1.5 MW WIND TURBINE YAW (INTERCHANGEABLE WITH ANTEC BRAKES)

Max. Force (N)	152000
Max. Braking Force (N)	60800
Piston Area (mm ²)	9512
Pad area (organic)(mm ²)	9512
Max. wear of pad (organic)(mm)	7
Friction coefficient (μ)	0.4
Max working pressure (Mpa or N/mm ²)	18
Volume for each caliper at 1 mm stroke (mm ³)	9512
Pressure connection/port	1/4" G BSP
Drain connection/port	1/8" G BSP
Operating temperature (°C)	-30 to +60

Assembly with the Rotor Brake:

$$\text{Brake Torque} = 2 \times \mu \times F \times R' (N * mm)$$

$$R' = \text{Effective radius} = R - d (mm)$$

