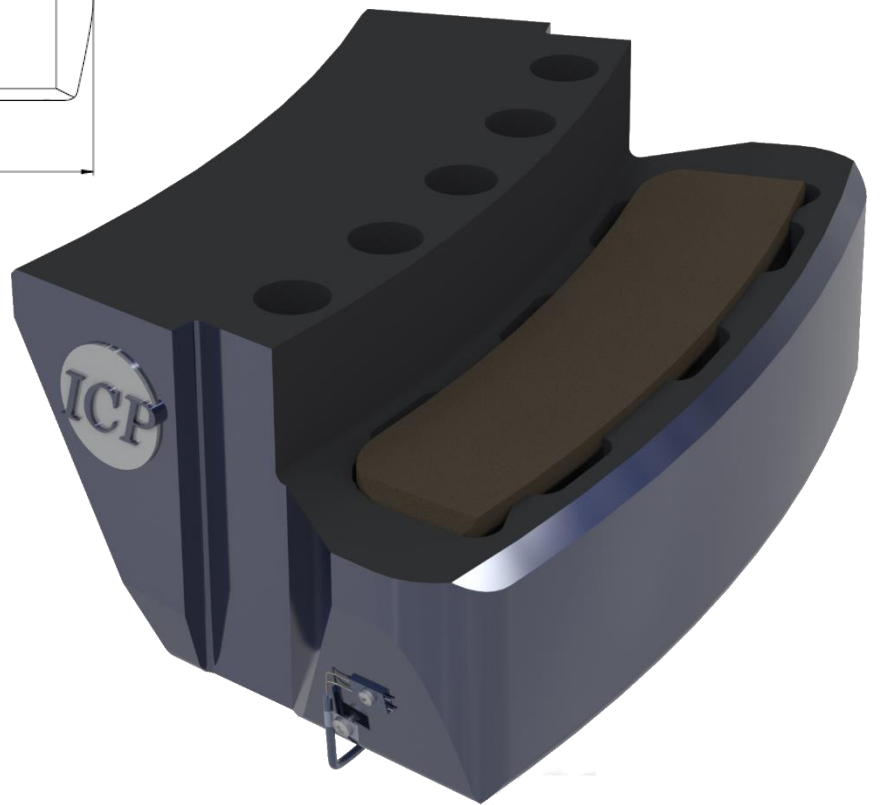
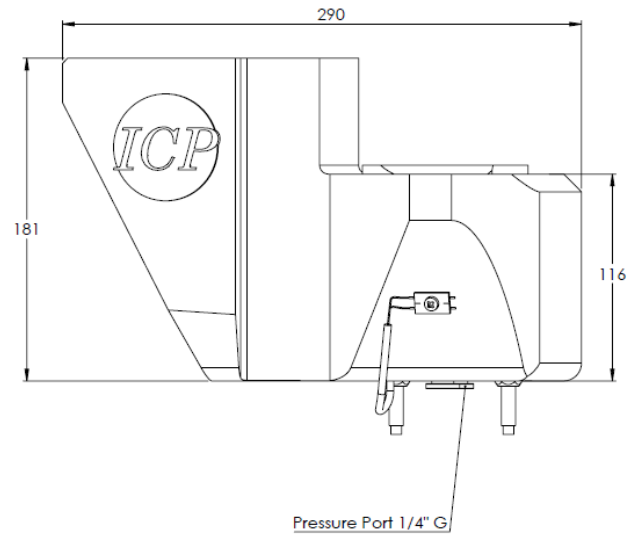
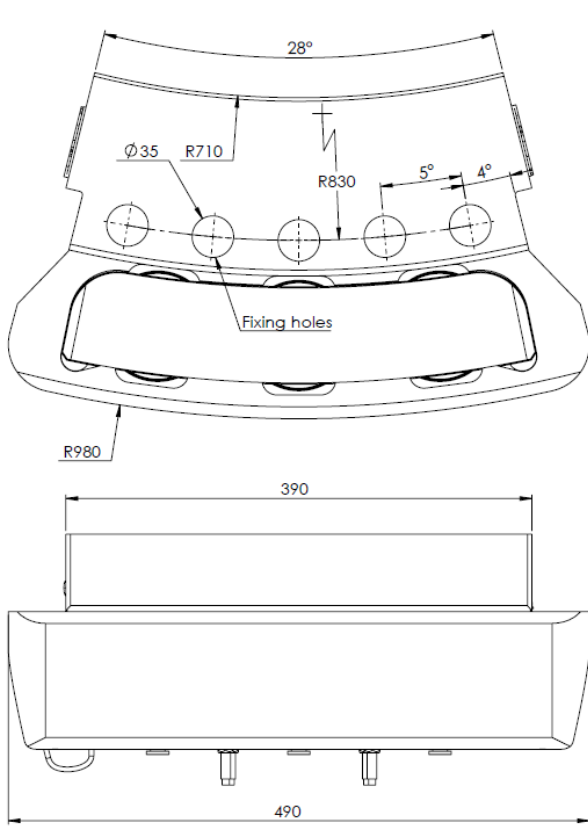


YAW BRAKE TYPE HAB-3-90

SUITABLE FOR GAMESA G-5X WIND TURBINES



YAW BRAKE TYPE HAB-3-90

SUITABLE FOR GAMESA G-5X WIND TURBINES

Description

HAB-3-90 is an independent caliper with three hydraulic pistons, suitable for providing braking force to stop and control yaw movement.

Main features

- Hydraulic applied brake.
- Compact and robust design.
- Easy maintenance.
- Organic asbestos free lining.
- Three hydraulic pistons.
- Long service life.
- Protection C4-H, according ISO 12944-2
- Reactive humidity $\leq 70\%$

Max. Braking Force (N)	122000
Operating pressure (Mpa or N/mm ²)	16
Piston Area (mm ²)	6361
Pad area (mm ²)	29352
Max. wear of pad (organic)(mm)	10
Friction coefficient (μ)	0.4
Max working pressure (Mpa or N/mm ²)	18
Total piston area(mm ²)	19083
Volume for each caliper at 1 mm stroke (mm ³)	19083
Max. Clamping Force (N)	305000
Pressure connection/port	1/4" G BSP